

ASSEMBLY INSTRUCTIONS

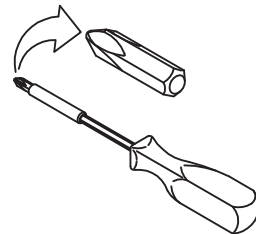
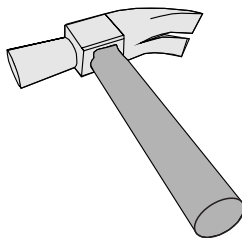
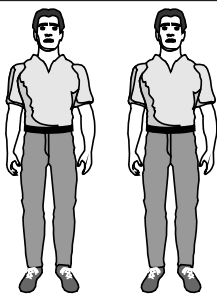
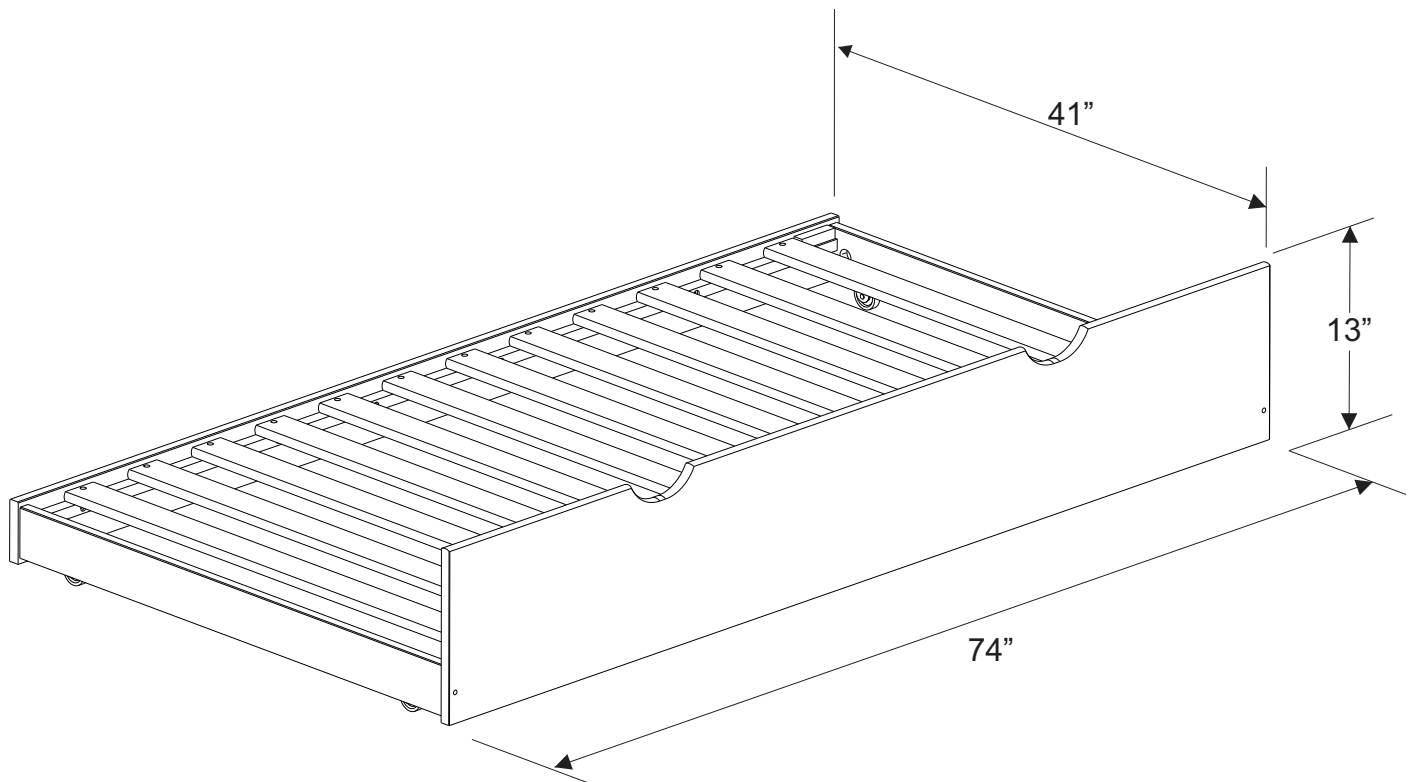
TWIN SIZE TRUNDLE

Ref. 58301 - Whitewash

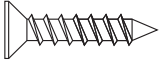


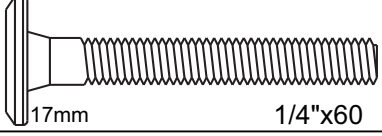

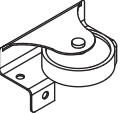

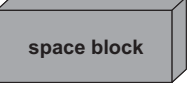
Ref. 58302 - Mahogany

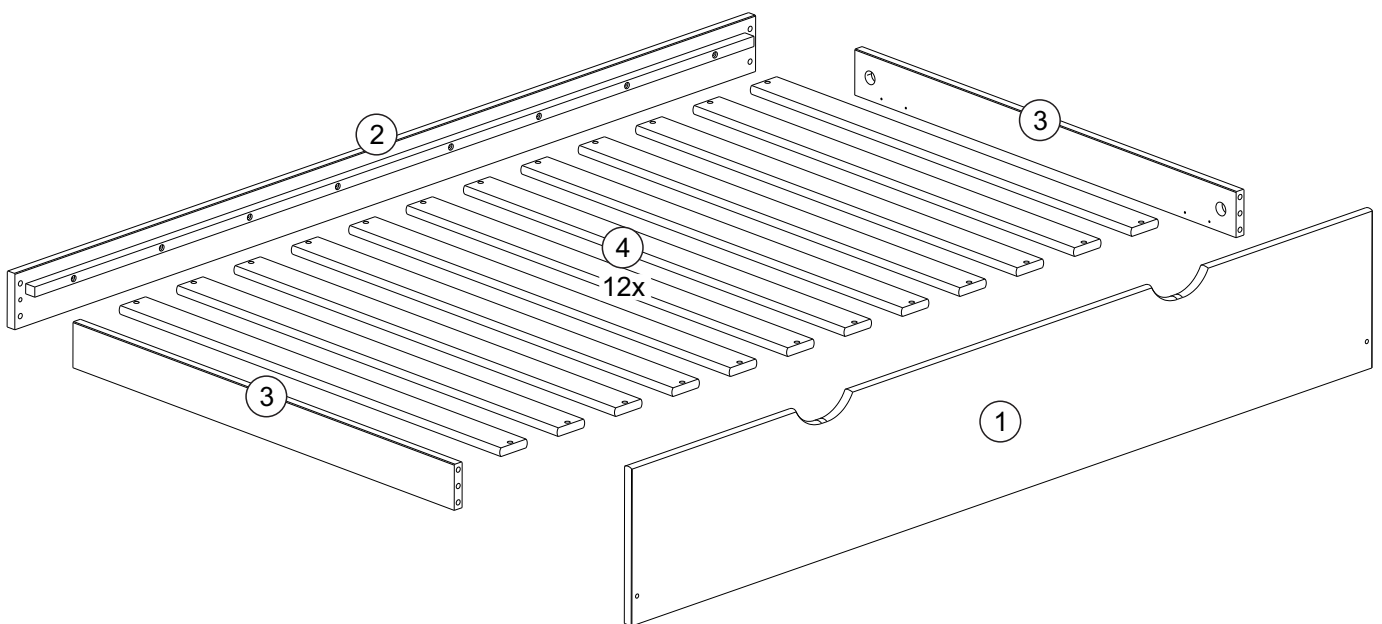
Ref. 58304 - Honey Pine

Ref. 58306 - Java

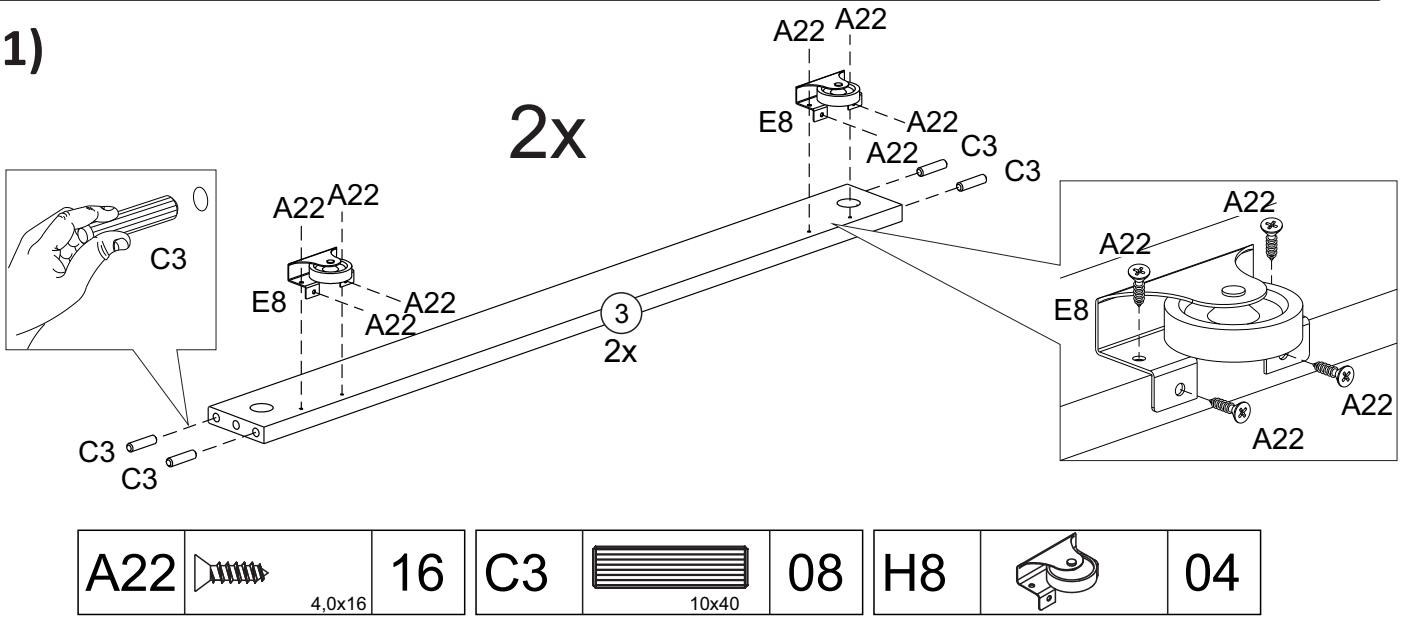





HARDWARE IN ACTUAL SIZE

A22	 4,0x16	16
A12	 4,0x35	24
B5	 1/4"	04
B14	 17mm 1/4"x60	04
C3	 10x40	08
E8		04
G3		01
G4	 77mm	02

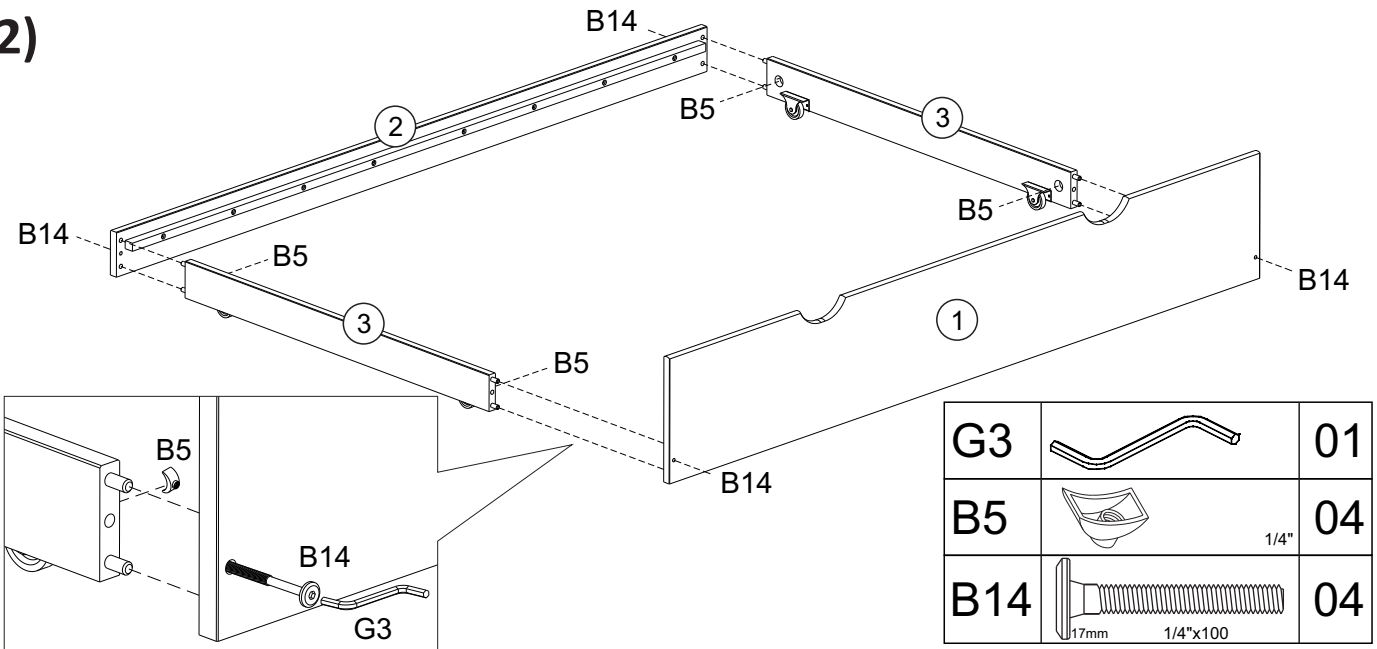


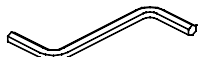


01)



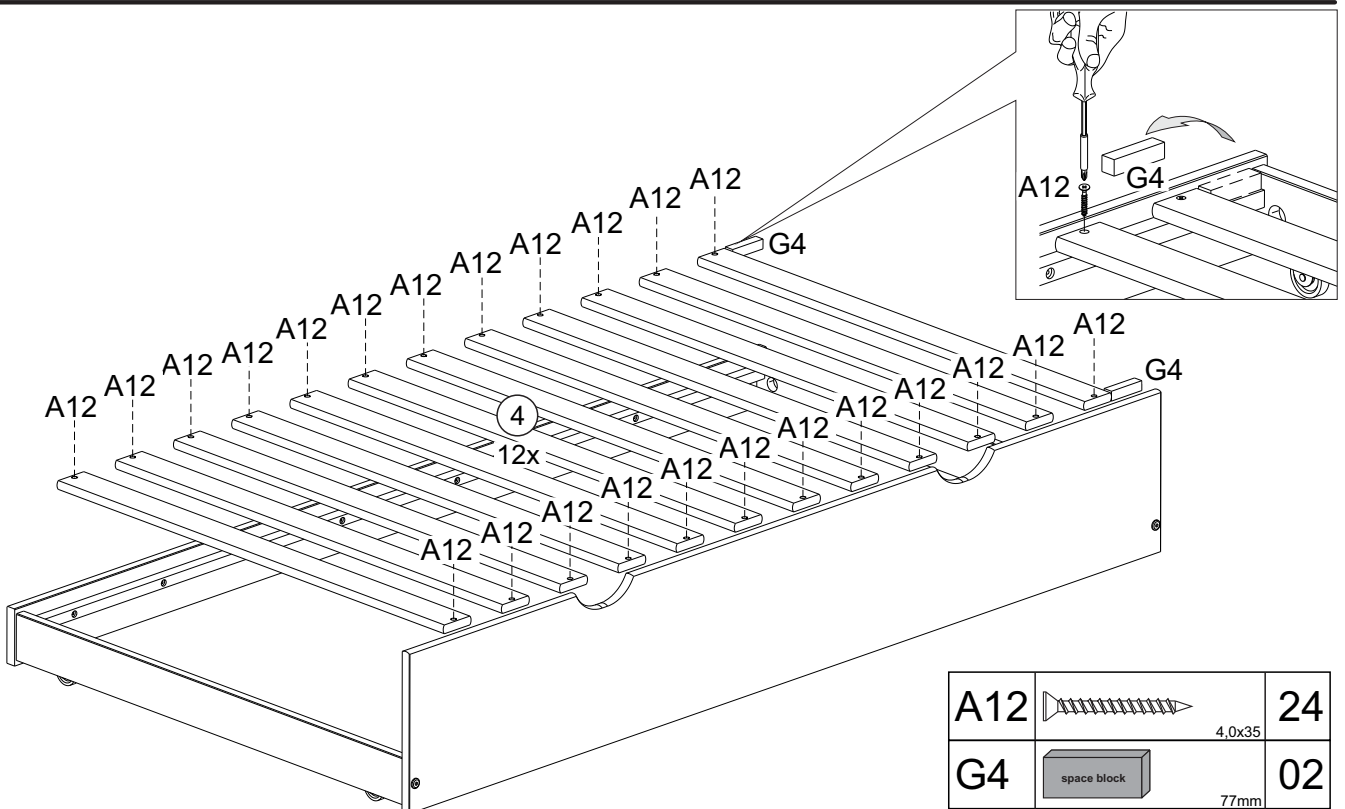
A22		16	C3		08	H8		04
	4,0x16			10x40				



02)



G3		01
B5		04
B14		04
	17mm 1/4"x100	

03)



A12		24
G4		02
	space block	77mm
	4,0x35	